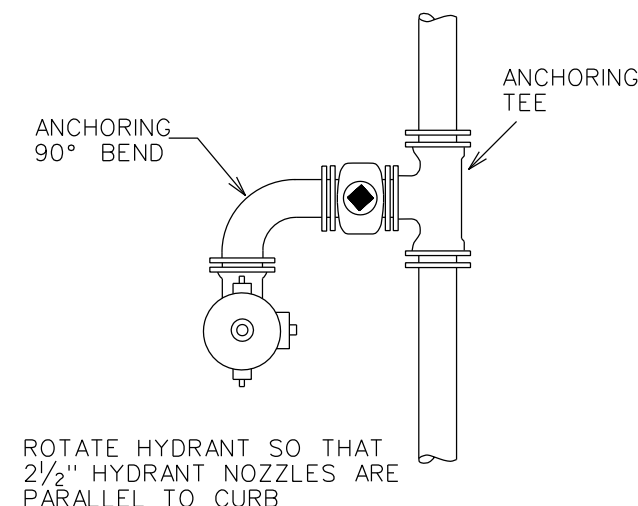
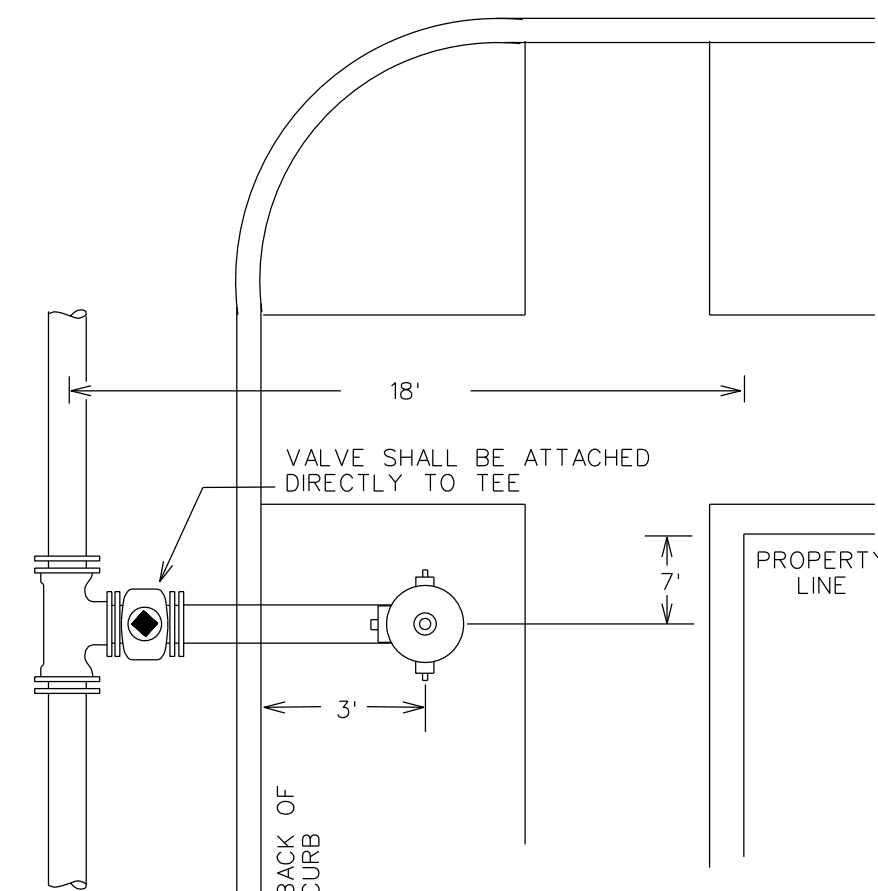


HYDRANT LOCATIONS & SETTINGS

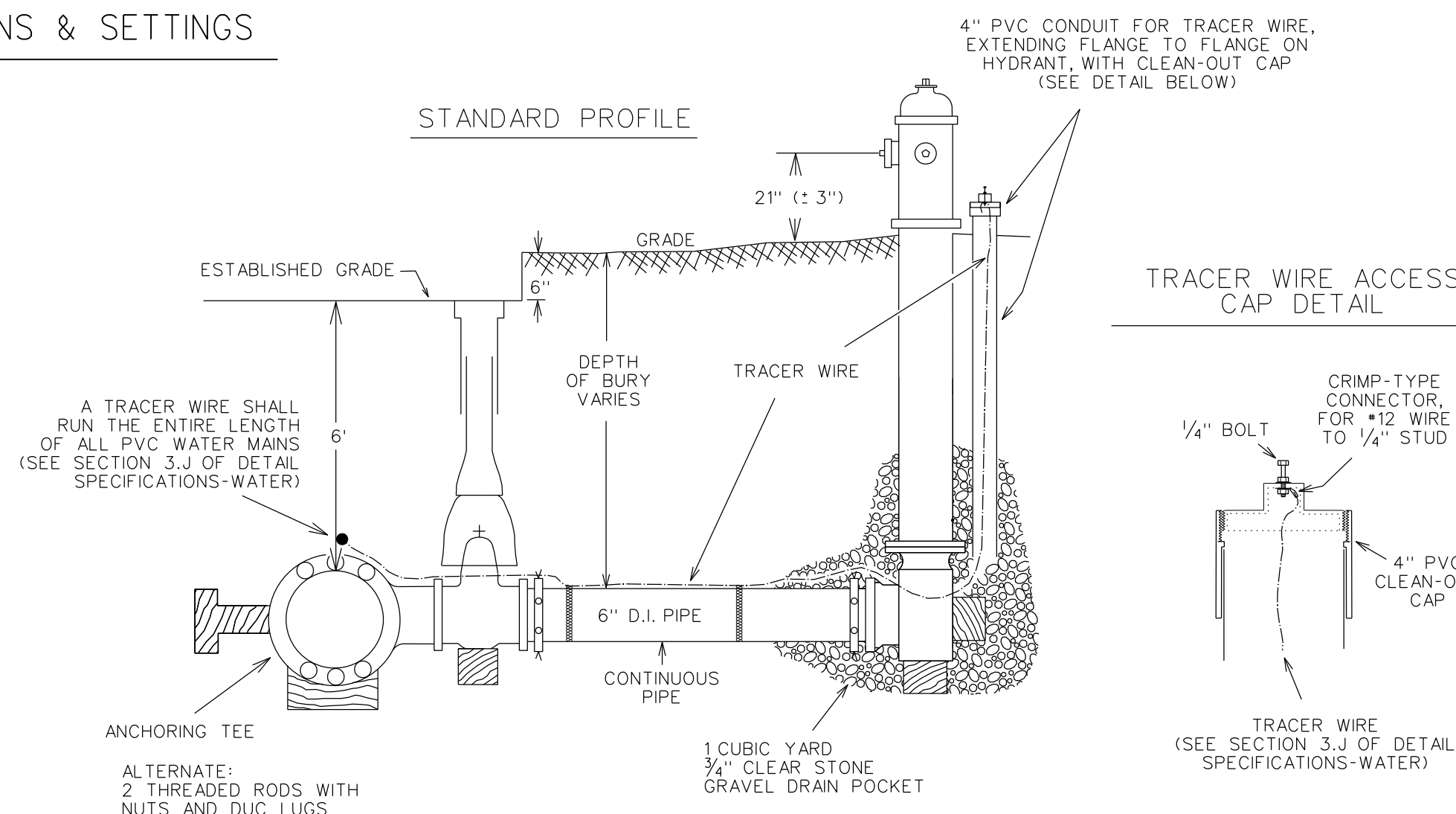
ALTERNATE PLAN



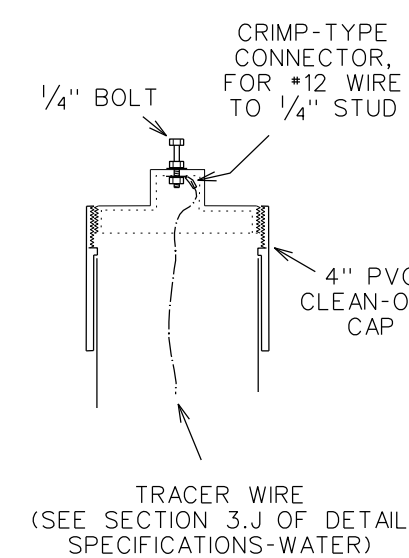
STANDARD PLAN



STANDARD PROFILE

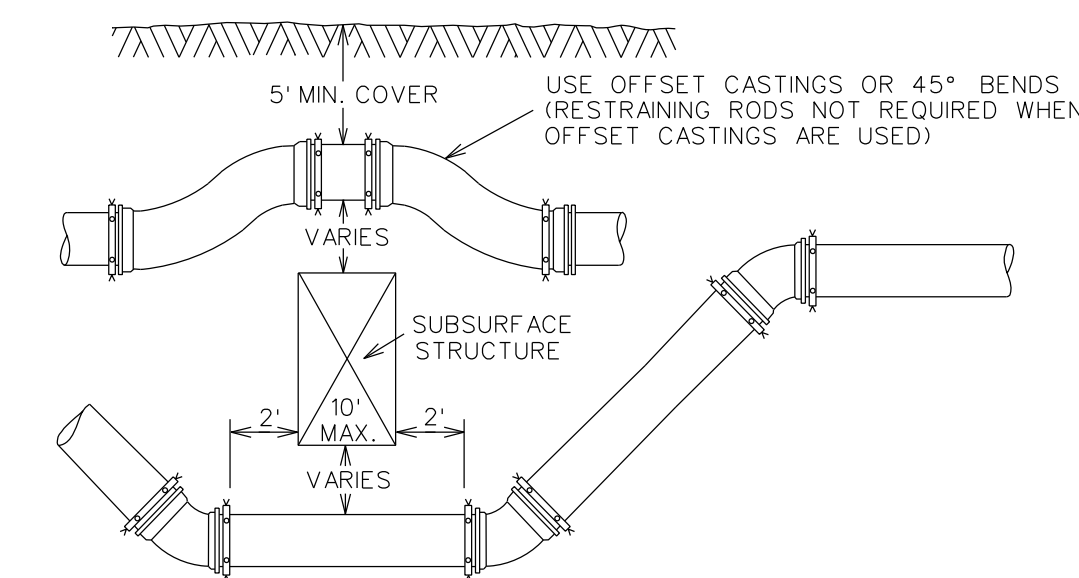
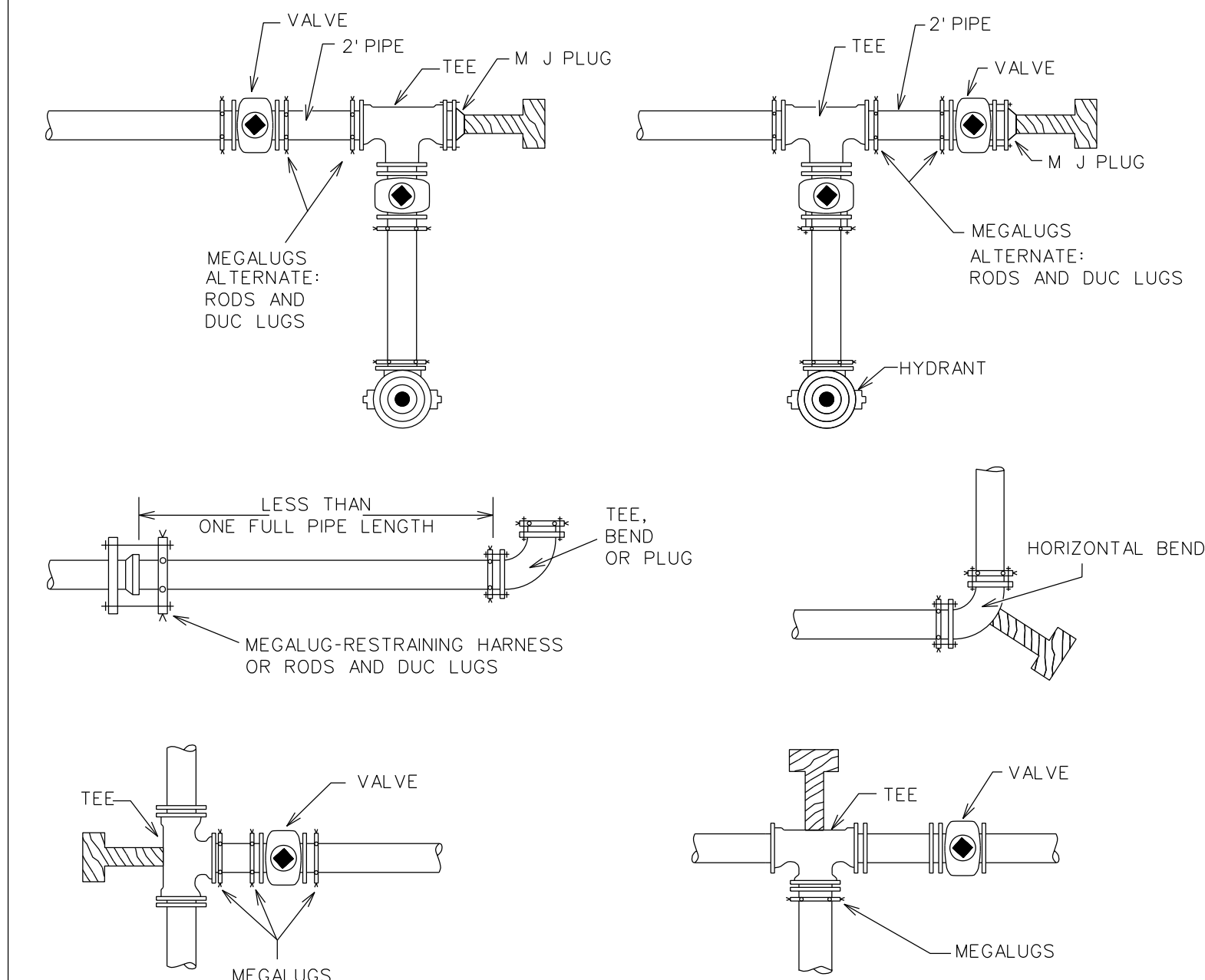


TRACER WIRE ACCESS CAP DETAIL

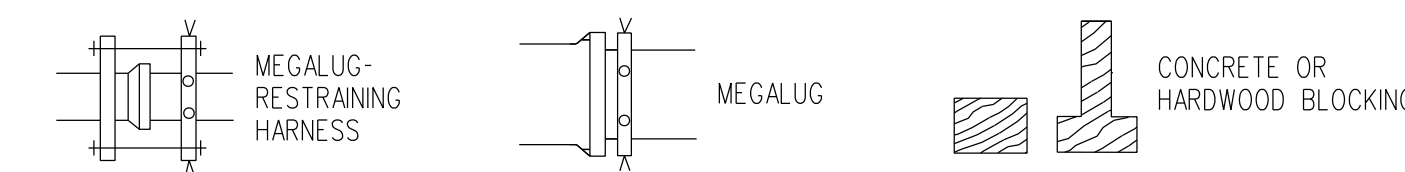


PIPING RESTRAINTS

GUIDE FOR PIPE SIZE 6" THROUGH 16"
PIPE SIZE GREATER THAN 16" SHALL REQUIRE ADDITIONAL RESTRAINTS



LEGEND



100-150 PSI TEST PRESSURE
MINIMUM NUMBER & SIZE OF RESTRAINING RODS

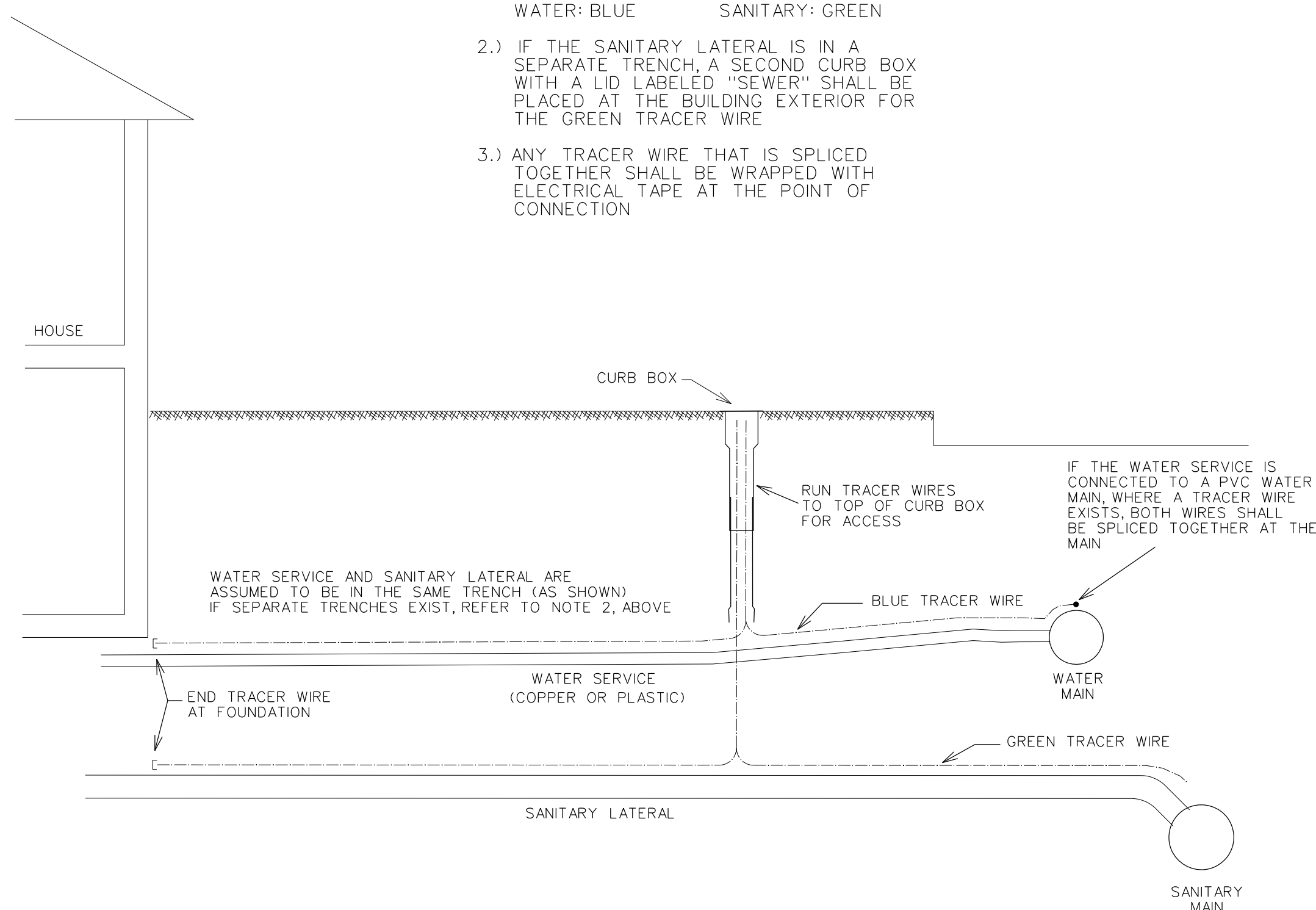
NOMINAL PIPE DIAMETER	DEAD END		90° BEND		45° BEND		22 1/2° BEND		11 1/4° BEND	
	QUAN	SIZE	QUAN	SIZE	QUAN	SIZE	QUAN	SIZE	QUAN	SIZE
4"	2	3/4"	2	3/4"	2	3/4"	2	3/4"	2	3/4"
6"	2	"	2	"	2	"	2	"	2	"
8"	2	"	2	"	2	"	2	"	2	"
10"	4	"	4	"	2	"	2	"	2	"
12"	4	"	4	"	2	"	2	"	2	"
14"	5	"	5	"	2	"	2	"	2	"
16"	6	"	6	"	2	"	2	"	2	"
18"	8	"	8	"	2	"	2	"	2	"
20"	10	"	10	"	3	"	2	"	2	"
24"	12	"	12	"	4	"	2	"	2	"
30"	10	1"	10	1"	3	1"	2	1"	2	1"
36"	15	"	15	"	5	"	2	"	2	"
42"	12	1 1/4"	12	1 1/4"	4	1 1/4"	2	1 1/4"	2	1 1/4"
48"	16	"	16	"	5	"	2	"	2	"
54"	20	"	20	"	6	"	2	"	2	"

WATER SERVICE AND SANITARY LATERAL, TRACER WIRE DETAIL

NO SCALE

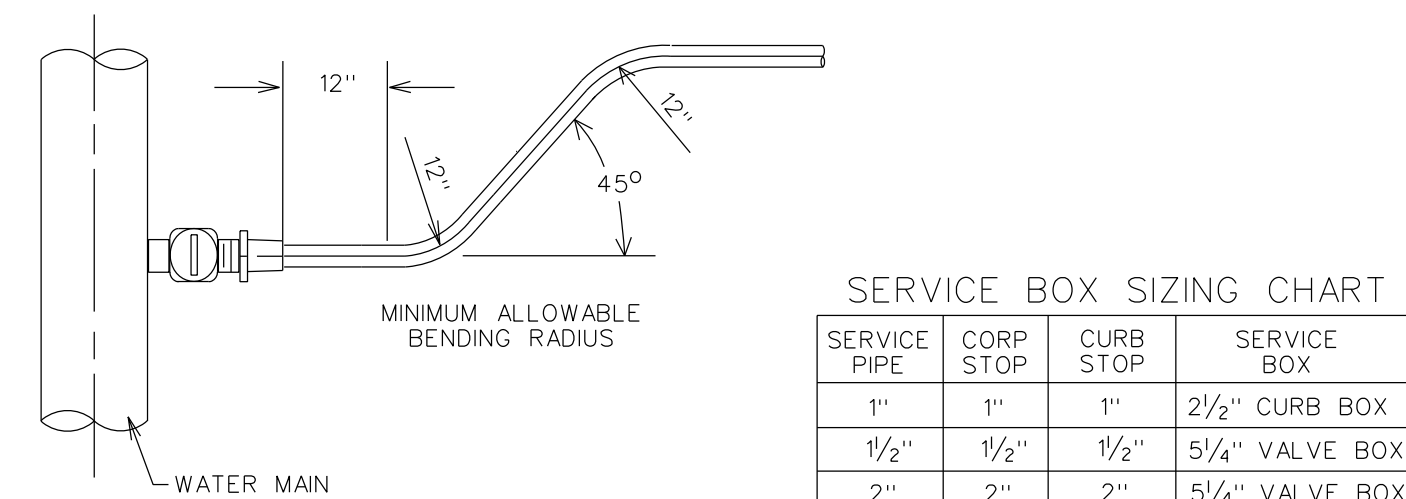
NOTES:

- 1.) TRACER WIRES SHALL BE #12 AWG THWN SOLID COPPER WITH COLORED INSULATION WATER: BLUE SANITARY: GREEN
- 2.) IF THE SANITARY LATERAL IS IN A SEPARATE TRENCH, A SECOND CURB BOX WITH A LID LABELED "SEWER" SHALL BE PLACED AT THE BUILDING EXTERIOR FOR THE GREEN TRACER WIRE
- 3.) ANY TRACER WIRE THAT IS SPICED TOGETHER SHALL BE WRAPPED WITH ELECTRICAL TAPE AT THE POINT OF CONNECTION



WATER SERVICE INSTALLATION

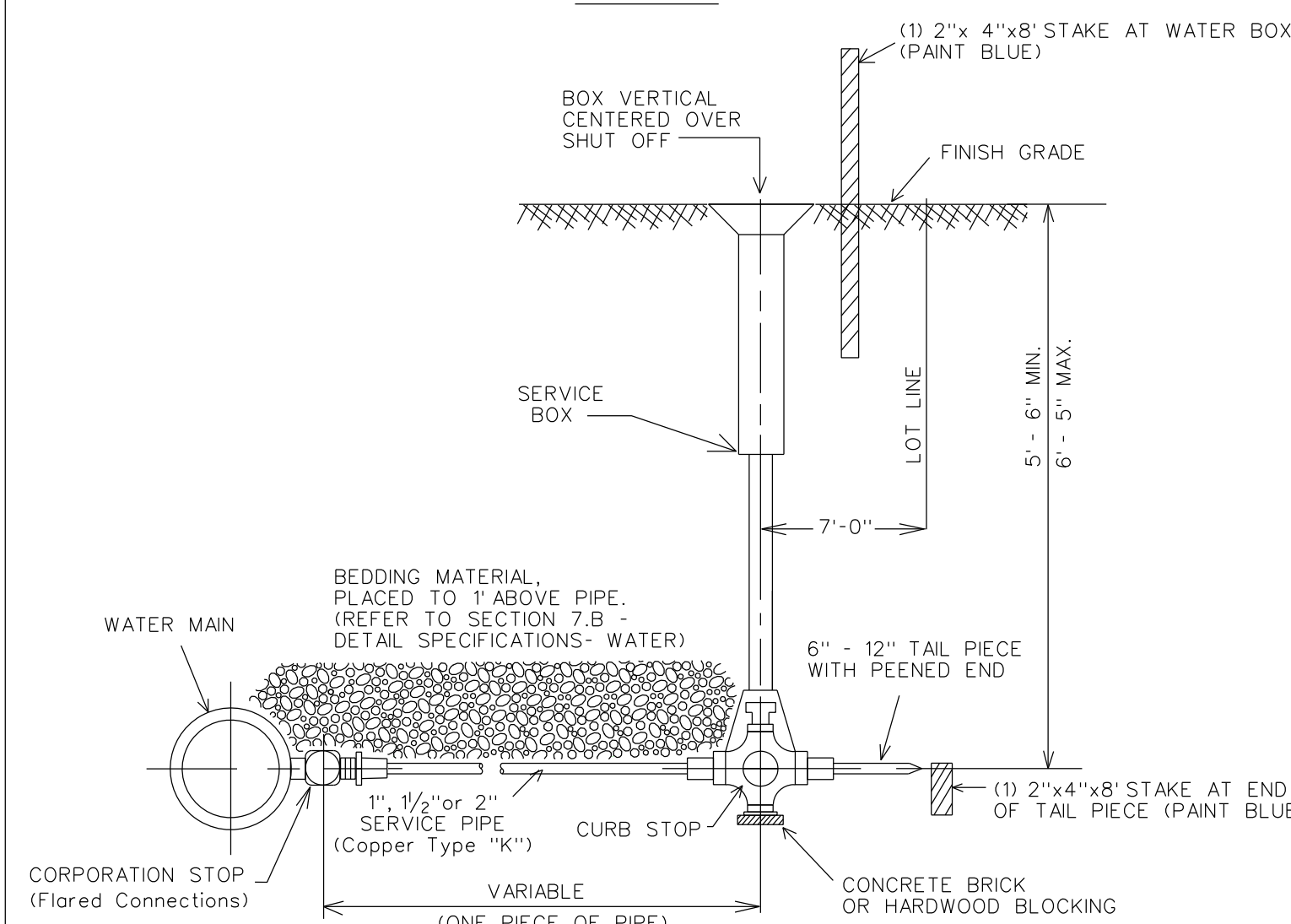
NO SCALE



SERVICE BOX SIZING CHART

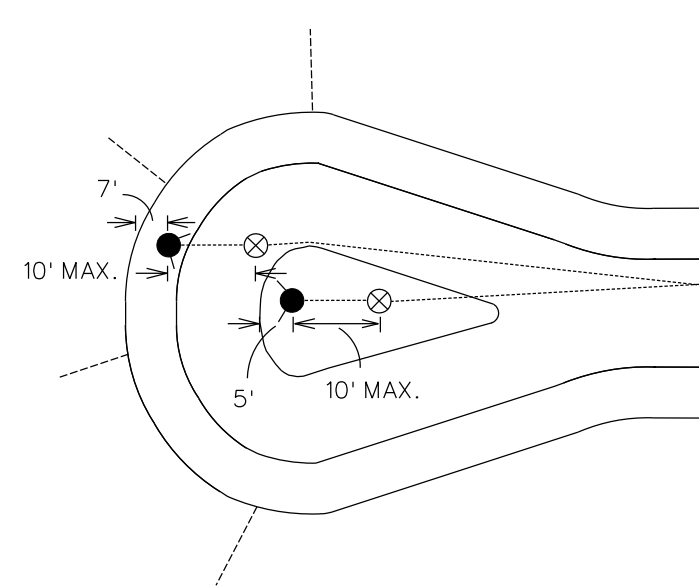
SERVICE PIPE	CORP STOP	CURB STOP	SERVICE BOX
1"	1"	1"	2 1/2" CURB BOX
1 1/2"	1 1/2"	1 1/2"	5/4" VALVE BOX
2"	2"	2"	5/4" VALVE BOX

SECTION

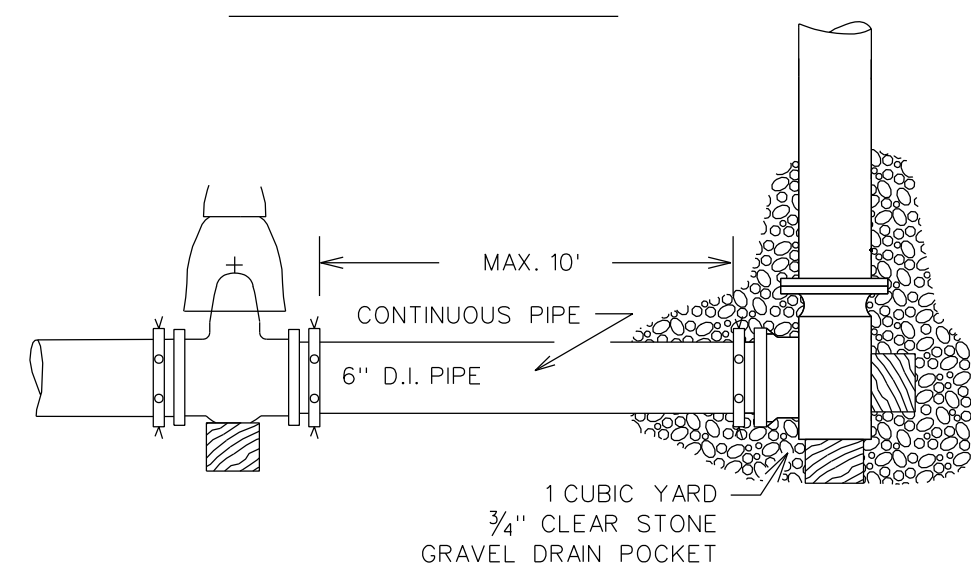


CUL-DE-SAC DETAIL

STANDARD PLAN

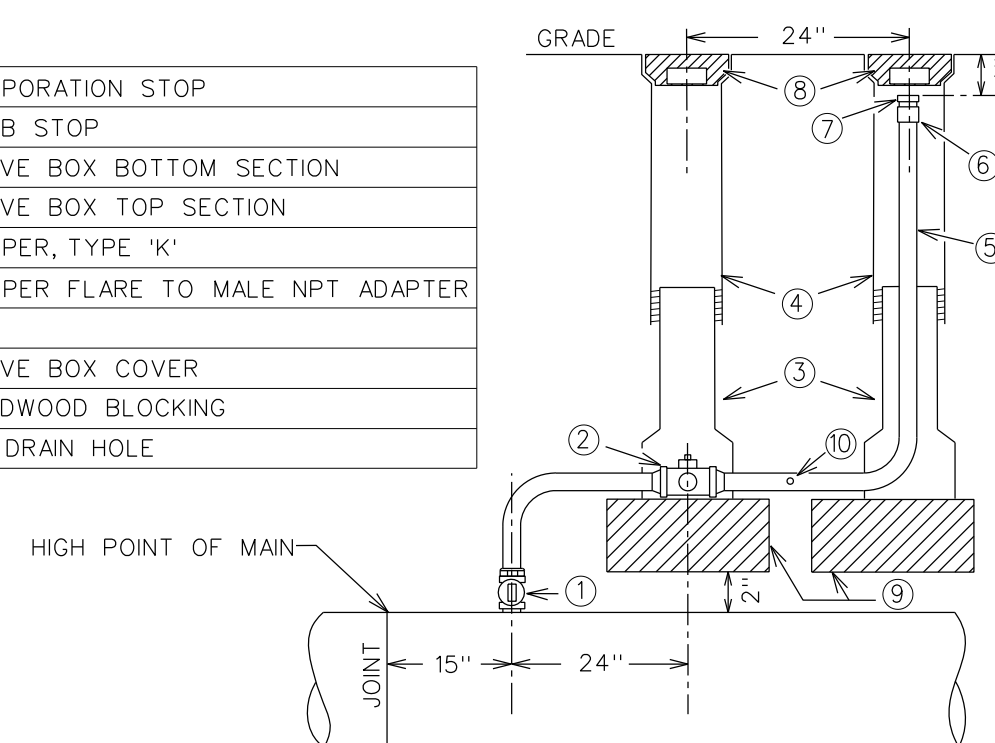


STANDARD PROFILE

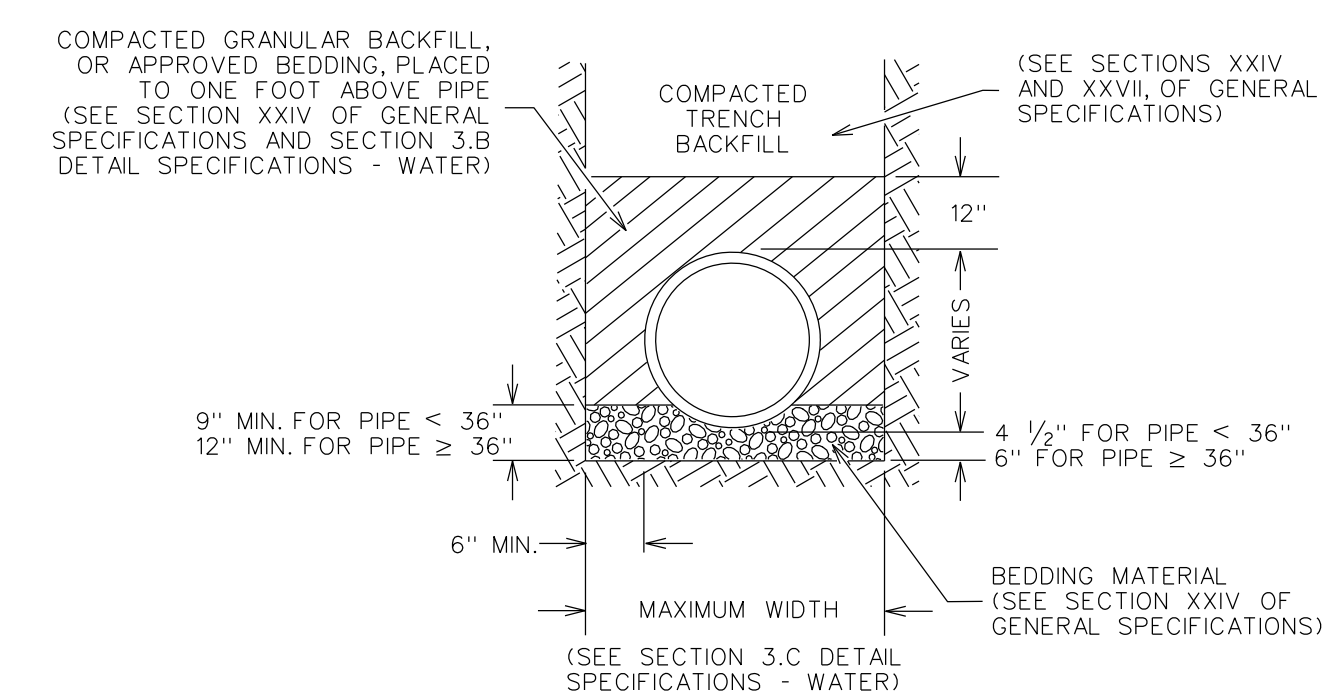


AIR RELEASE ASSEMBLY

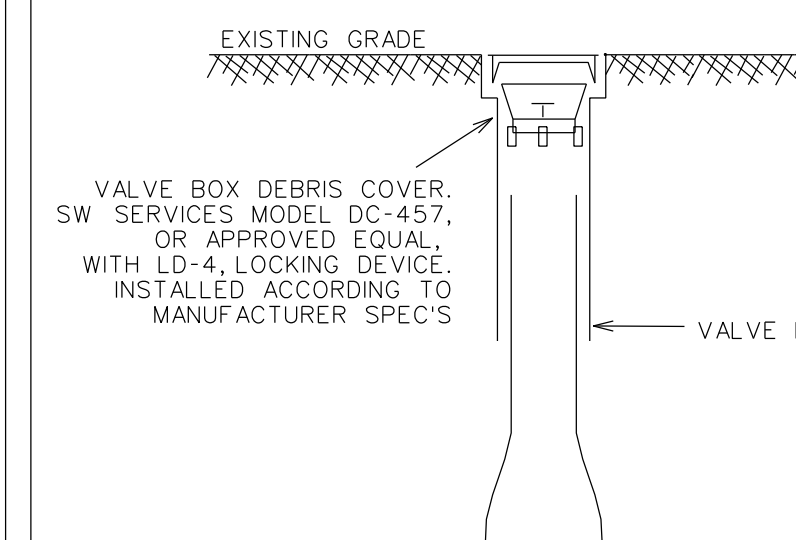
- 1 CORPORATION STOP
- 2 CURB STOP
- 3 VALVE BOX BOTTOM SECTION
- 4 VALVE BOX TOP SECTION
- 5 COPPER, TYPE "K"
- 6 COPPER FLARE TO MALE NPT ADAPTER
- 7 CAP
- 8 VALVE BOX COVER
- 9 HARDWOOD BLOCKING
- 10 1/8" DRAIN HOLE



WATER MAIN TRENCH DETAIL



VALVE BOX DEBRIS COVER



KENOSHA WATER UTILITY ENGINEERING SERVICES
 Edward St. Peter - General Manager
 4401 Green Bay Rd. - Kenosha, Wisconsin 53144-1716
 ph (262) 653-4315 fax (262) 653-4303

REVISIONS	Survey By :	Date :	Design By :	Date :	Drawn By :	Checked By :	Date :	D. N. R. No. :	Date :
03/21/07 - NEW TRACER WIRE SPECIFICATION	JMR		JMR	1/27/07					
1/27/07 - TRACER WIRE ACCESS CAP & SERVICE/LATERAL DETAIL									
02/25/06 - ENTIRE SHEET REVISED									
04/28/05 - NEW AIR RELEASE ASSEMBLY									